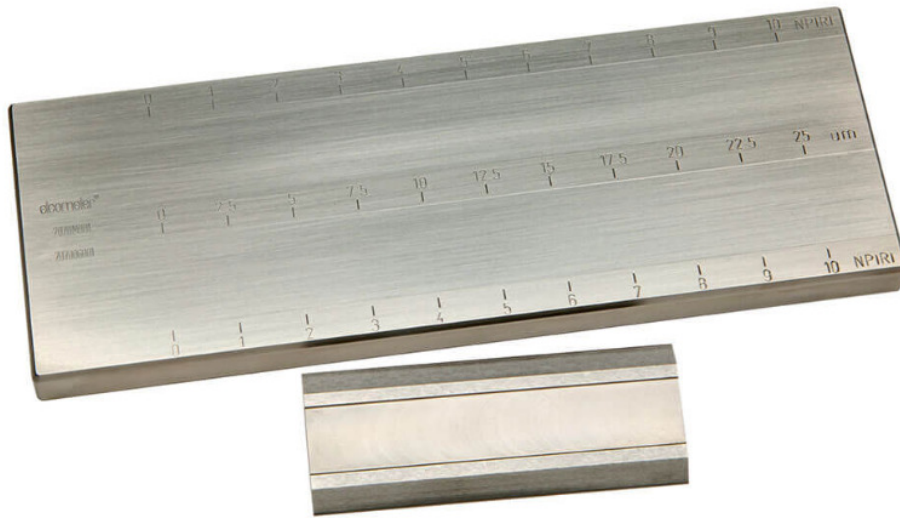


# Elcometer 2070 NPIRI Fineness of Grind Gauge

Can be used in accordance with: ASTM D 1316



This precision grindometer is used to determine particle size and the fineness of grind of particles in printing inks according to the National Printing Inks Research Institute (NPIRI) scale.

As ink particles are so fine the two grooves of the gauge have a gentle gradient allowing a scale of 2.5µm for better resolution.

The groove width is 25mm and the groove length is 165mm. The NPIRI scale is displayed alongside the microns scale. The NPIRI gauge and its scraper are made of hardened stainless steel.

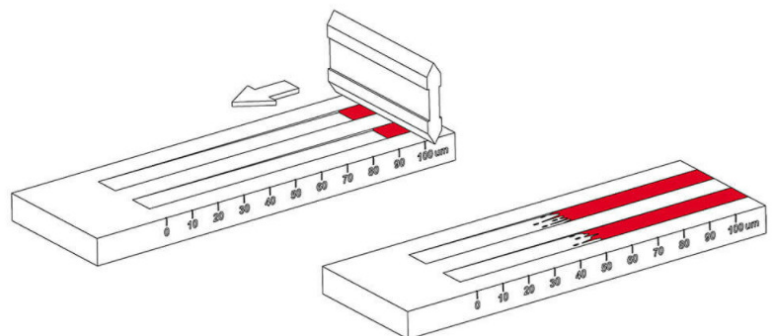
## Technical Specifications

Part Number	Description	Certificate
K0002070M001	Elcometer 2070	o
Accuracy	±3µm or ±5% whichever is the greater	
Range µm	0 - 25 µm	
Graduation	2.5µm / 1 NPIRI	
Dimensions	220 x 80 x 12mm	
Weight	2.2kg	

o Optional Calibration Certificate available

## Packing List

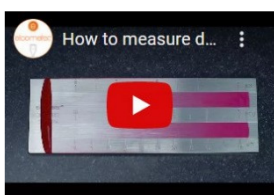
Elcometer 2070 NPIRI Fineness of Grind Gauge
Scraper
Plastic Case
Operating Instructions



## Accessories

Replacement Scraper for Elcometer 2070
--

## Video



**YouTube Video - How to measure dispersion using Elcometer Fineness of Grind Gauges (Click on the image to the left to view the video)**

Measuring the particle size of the material (also known as dispersion) is an essential part of ensuring reliable and repeatable formulations. Typically, to measure dispersion, fineness of grind gauges are used.